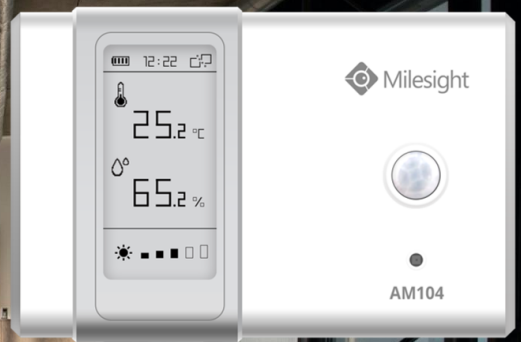


AM104



Indoor Comfort

Sleek, Attractive and Compact Design

AM104 is ideal for indoor comfort applications, measuring

- Temperature
- Humidity
- Light (Illumination)
- Motion (PIR)

AM104's real-time data can be shown on the E-ink display.

AM104 is widely used in offices, stores, classrooms, hospitals, kindergartens, etc.

AM104 applies 2 standard AA batteries, providing more than one-year battery life.

AM104 is equipped with NFC for mobile app configuration (Android and iOS).

USB-C and NFC is available for configuration via Notebook.

AM104 is compliant with standard LoRaWAN® gateways and network servers





AM104

Indoor Comfort

Sleek, Attractive and Compact Design

Wireless transmission

Technology	LoRaWAN®
Frequency	CN470/IN865/RU864/EU868/US915/AU915/KR920/AS923
Tx Power	16dBm(868)/20dBm(915)/19dBm(470)
Sensitivity	-137dBm @300bps
Mode	OTAA/ABP Class A

Temperature

Range	-20°C to + 70°C
Accuracy	0°C to + 70°C (+/- 0.3°C), -20°C to 0°C (+/- 0.6°C)
Resolution	0.1°C

Humidity

Range	0% to 100% RH
Accuracy	10% to 90% RH (+/- 3%). Below 10% and above 90% RH (+/- 5%)
Resolution	0.5% RH

Motion (Passive infrared)

Detection Area	94 ° Horizontal, 82 ° Vertical
Detection Distance	5 m
Range	0-65535

AM104



Indoor Comfort

Sleek, Attractive and Compact Design

Light (Illumination)

Range 60000 lux (Visible + IR, IR)

Accuracy ±30%

Physical characteristics

Power supply 2 × AA Alkaline batteries or type-C port power supply

Battery life at 10 min interval
1.5 years (SF7),
1.2 years (SF10)
For guideline purposes only!

Operating Temp. 0°C to +45°C

Relative humidity 0% to 100% non-condensing

Ingress protection IP30

Dimension 105 × 70.4 × 21.2 mm (4.1 × 2.8 × 0.8 in)

Installation Wall mounting

Display 2.13 inch black & white E-Ink display



Gateway UG65



AM104



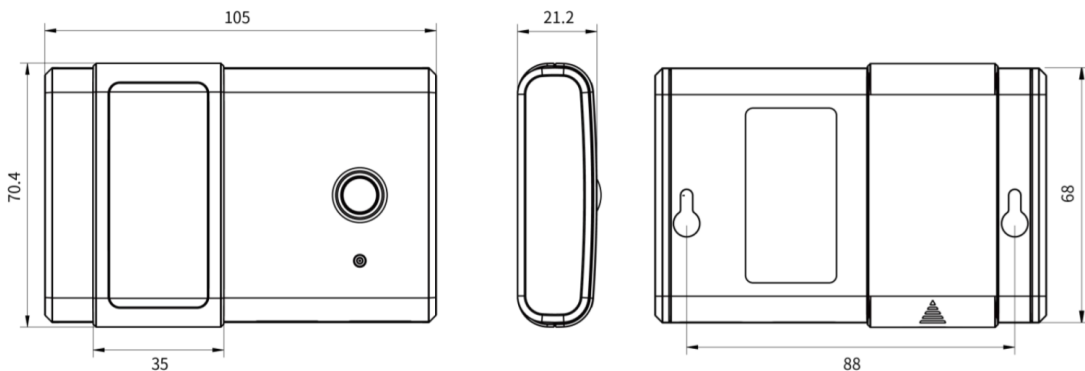
Indoor Comfort

Sleek, Attractive and Compact Design

Approvals

Regulatory	CE, FCC, LoRaWAN® certified
EMC	EN 55032, EN 55035
EMS	IEC 61000-4-2 Level 3, IEC 61000-4-3 Level 2, IEC 61000-4-4 Level 4, IEC 61000-4-5 Level 3, IEC 61000-4-6 Level 3, IEC 61000-4-8 Level 4
Radio Frequency	4-8 Level 4 Radio Frequency FCC Part 15B, FCC Part 15.247, EN 300 330, EN 301 489-1/3, EN 300 220-1/2
Safety	EN62368-1

Dimensions in millimeters (mm)



Motion area coverage in meters (m)

